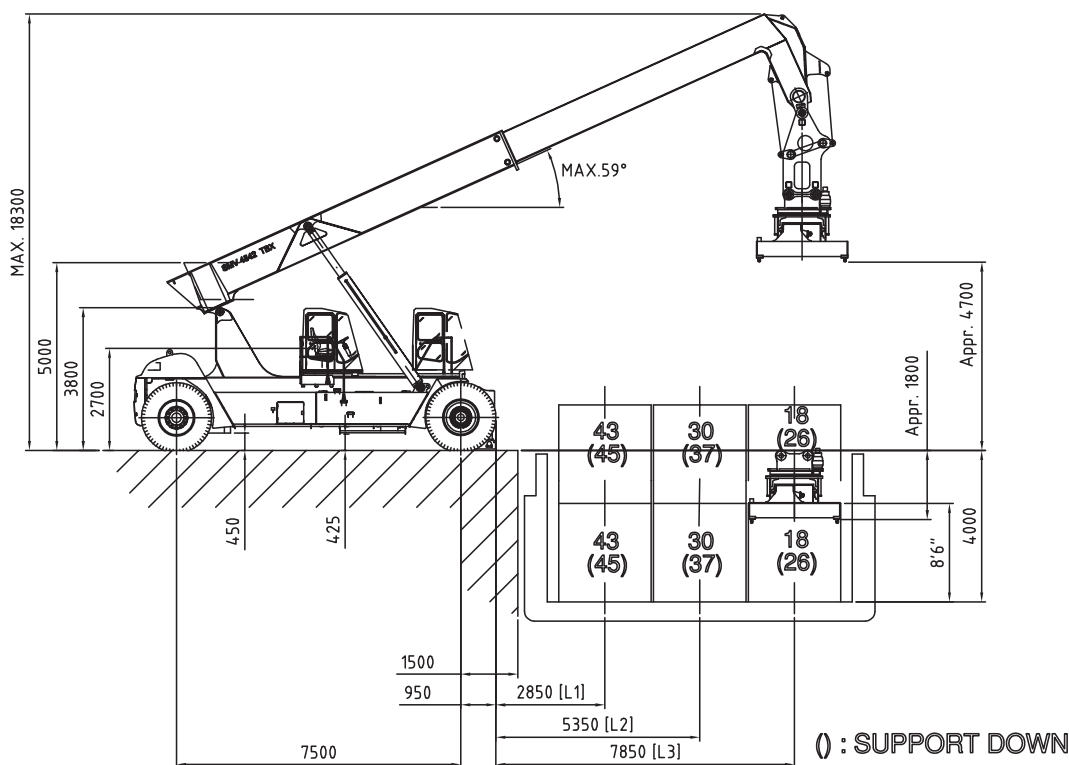
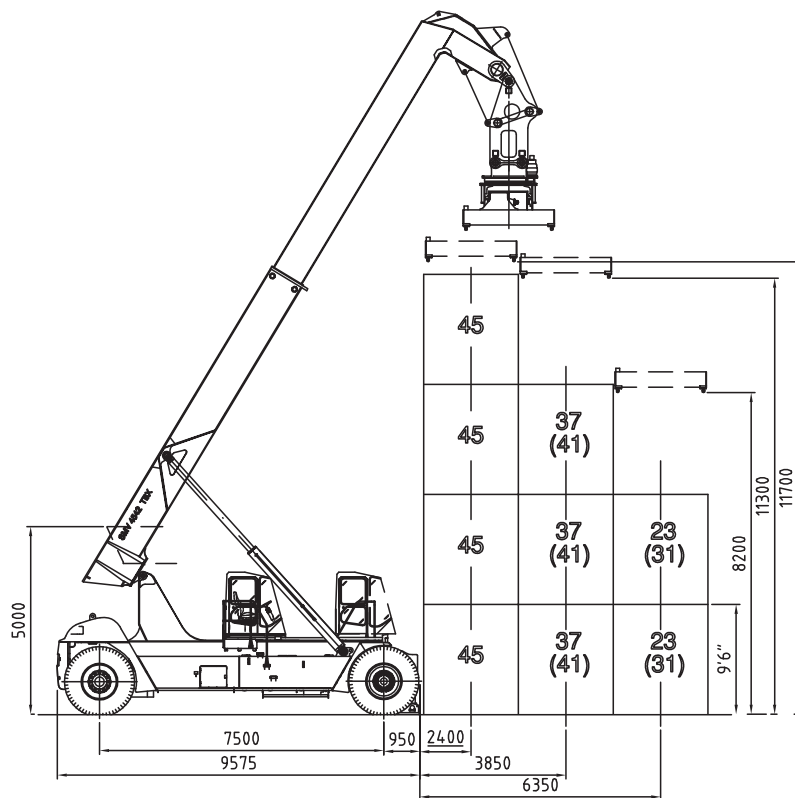


TECHNICAL DATA

Lifting data Lift capacity at Container row 1 / Barge row 1 (2400 / 2850) Lift capacity at Container row 2 / Barge row 2 (3850 / 5350) Lift capacity at Container row 3 / Barge row 3 (6350 / 7850) Lift speed, unloaded / 40 % load / at rated load Lowering speed, unloaded / at rated load	kg kg kg m/s m/s	45000 / 43000 (45000/45000) 37000 / 30000 (41000/37000) 23000 / 18000 (31000/26000) 0,38 / 0,35 / 0,23 0,35 / 0,40
Speeds Speed forward, unloaded / at rated load Speed reverse, unloaded / at rated load Incline, driving ability / at rated load at 0 km h / 2 km h Towing ability at rated load at 0 km h / 2 km h	km/h km/h % kN	25 / 22,5 25 / 22,5 23 / 17 260 / 214
Weight Service weight Axle pressure front at loadcenter L1, unloaded / at rated load Axle pressure front at loadcenter L2, unloaded / at rated load Axle pressure front at loadcenter L3, unloaded / at rated load Axle pressure rear at loadcenter L1, unloaded / at rated load Axle pressure rear at loadcenter L2, unloaded / at rated load Axle pressure rear at loadcenter L3, unloaded / at rated load Axle load in driving position, front / rear	kg kg kg kg kg kg kg kg	88500 48500/113300 (44000/105700) 54700/109900 (49600/111500) 60900/100100 (55300/106700) 40000/18200 (44500/27800) 33800/8600 (38900/14000) 27600/6400 (33200/7800) 27600/6400 (33200/7800)
Engine (electronically controlled) Make, type designation (*EU Stage II certified) Fuel / type of engine Power ISO 3046 / at speed Torque ISO 3046 / at speed Displacement / no. of cylinders Alternator, type / power Starting battery, voltage / capacity Fuel consumption, normal driving	kW(hp) / rpm Nm / rpm W / Amp V / Ah L / h	*Scania DI-12-54A Diesel/ 4 -stroke 243 (330) / 2100 1589 / 1400 6 / 18:1 AC / 1820 / 65 2 x 12 / 140 15-18
*EU stage III requires Scania DC-12-55A (294kW, 400 hp@2100 rpm - 1850/1400 Nm/rpm)		
Transmission with electronic controlled gear shift Gearbox, make / type designation Clutch, type Gearbox, type No. of gears, forward / reverse Drive axle, type		Dana / TE-27000 Torque converter Powershift 4 / 4 Kessler D106
Wheels No. of wheels, front / rear Wheel dimensions, front / rear / ply Pressure, front and rear	In / No Mpa	4 / 2 18.00 x 33" / PR 36 1,0
Steering and brake system Steering system Driving brake system, type / affected wheels Parking brake system, type / affected wheels		Servo assisted Wet disc brakes / Drive axle Spring brake / Drive axle
Volumes Fuel, net Hydraulic system	L L	650 850
Overload protection Hydraulic oil pressure, machinery / attachment Noise level DIN 45635 (LM inside cab)	Mpa dB (A)	Electronic system 25 / 15 70

SMV 4542 TBX4 (BH)

KONECRANES®



() : SUPPORT DOWN

070412 / 3

SMV 4542 TBX4 (BH) / ENG / 070412

Konecranes Liftrucks reserves the right to alter design and material specification without prior notice.

KONECRANES LIFTTRUCKS AB

Box 103
SE-285 23 Markaryd
SWEDEN

Visitors address
Anders Anderssons väg 13

Phone +46 433 73 300
Fax +46 433 73 310

www.smvliftrucks.se

E-mail
info@smvliftrucks.se