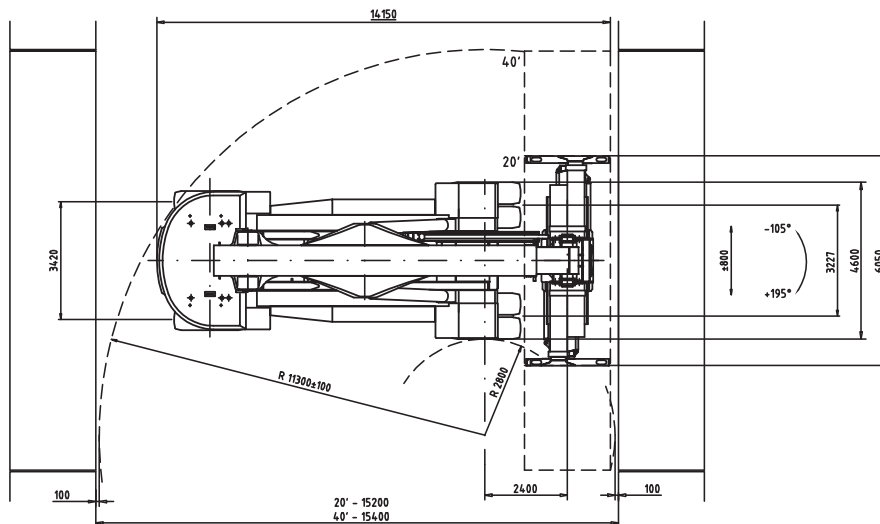
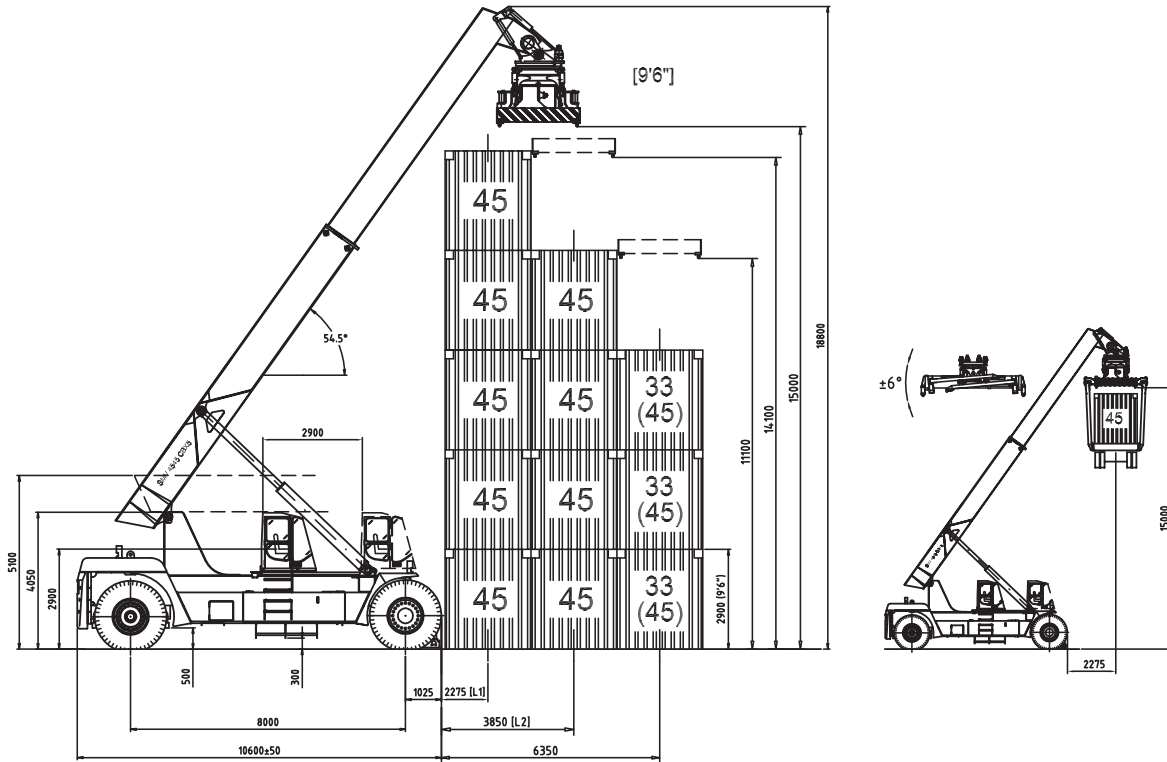


TECHNICAL DATA

Lifting data Lift capacity at loadcenter L1 / maximum height (support legs) Lift capacity at loadcenter L2 / maximum height (support legs) Lift capacity at loadcenter L3 / maximum height (support legs) Lift speed, unloaded / 40 % load / at rated load Lowering speed, unloaded / at rated load	kg kg kg m/s m/s	45000 / 45000 45000 / 45000 33000 / 33000 (45000/45000) 0,35 / 0,33 / 0,17 0,25 / 0,35
Speeds Speed forward, unloaded / at rated load Speed reverse, unloaded / at rated load Incline, driving ability / at rated load at 0 km h / 2 km h Towing ability at rated load at 0 km h / 2 km h	km/h km/h % kN	25 / 20 25 / 20 22 / 16 356 / 275
Weight Service weight Axle pressure front at loadcenter L1, unloaded / at rated load (support legs) Axle pressure front at loadcenter L2, unloaded / at rated load (support legs) Axle pressure front at loadcenter L3, unloaded / at rated load (support legs) Axle pressure rear at loadcenter L1, unloaded / at rated load (support legs) Axle pressure rear at loadcenter L2, unloaded / at rated load (support legs) Axle pressure rear at loadcenter L3, unloaded / at rated load (support legs)	kg kg kg kg kg kg kg	110000 54000 / 117600 58400 / 131000 65300 / 128900 (61300/139900) 56000 / 37400 51600 / 24000 44700 / 14100 (48700/15100)
Engine (electronically controlled) Make, type designation (*EU Stage II certified) Fuel / type of engine Power ISO 3046 / at speed Torque ISO 3046 / at speed Displacement / no. of cylinders Alternator, type / power Starting battery, voltage / capacity Fuel consumption, normal driving	kW(hp) / rpm Nm / rpm W / Amp V / Ah L / h	Scania DI-12-56A Diesel/ 4 -stroke 280 (381) / 2100 1937 / 1400 12,0 / 6 AC / 1820 / 65 2 x 12 / 140 19-22
*EU stage III requires Scania DC-12-58A (257kW,350 hp@2100 rpm - 1544/1200 Nm/rpm)		
Transmission with electronic controlled gear shift Gearbox, make / type designation Clutch, type Gearbox, type No. of gears, forward / reverse Drive axle, type		Dana / TE-32000 Torque converter Powershift 4 / 4 Kessler D111
Wheels No. of wheels, front / rear Wheel dimensions, front / rear / ply Pressure, front and rear	Ins / No Mpa	4 / 2 21.00 x 35" / PR 40 1,0
Steering and brake system Steering system Driving brake system, type / affected wheels Parking brake system, type / affected wheels		Servo assisted Wet disc brakes / Drive axle Spring brake / Drive axle
Volumes Fuel, net Hydraulic system	L L	700 950
Overload protection Hydraulic oil pressure monitoring, machinery / attachment Noise level DIN 45635 (LM inside cab)	Mpa dB (A)	Electronic system 24 / 15 68

SMV 4545 CBX5

KONECRANES®



060829 / 2

SMV 4545 CBX5 / ENG / 070413

Konecranes Liftrucks reserves the right to alter design and material specification without prior notice.

KONECRANES LIFTTRUCKS AB

Box 103
SE-285 23 Markaryd
SWEDEN

Visitors address
Anders Anderssons väg 13

Phone +46 433 73 300
Fax +46 433 73 310

www.smvliftrucks.se

E-mail
info@smvliftrucks.se