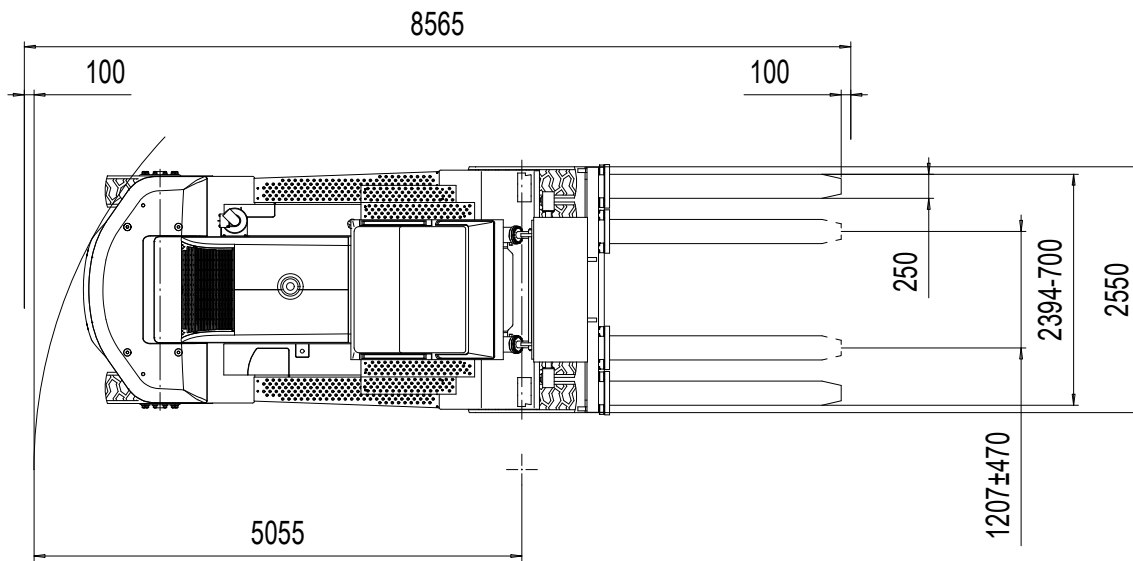
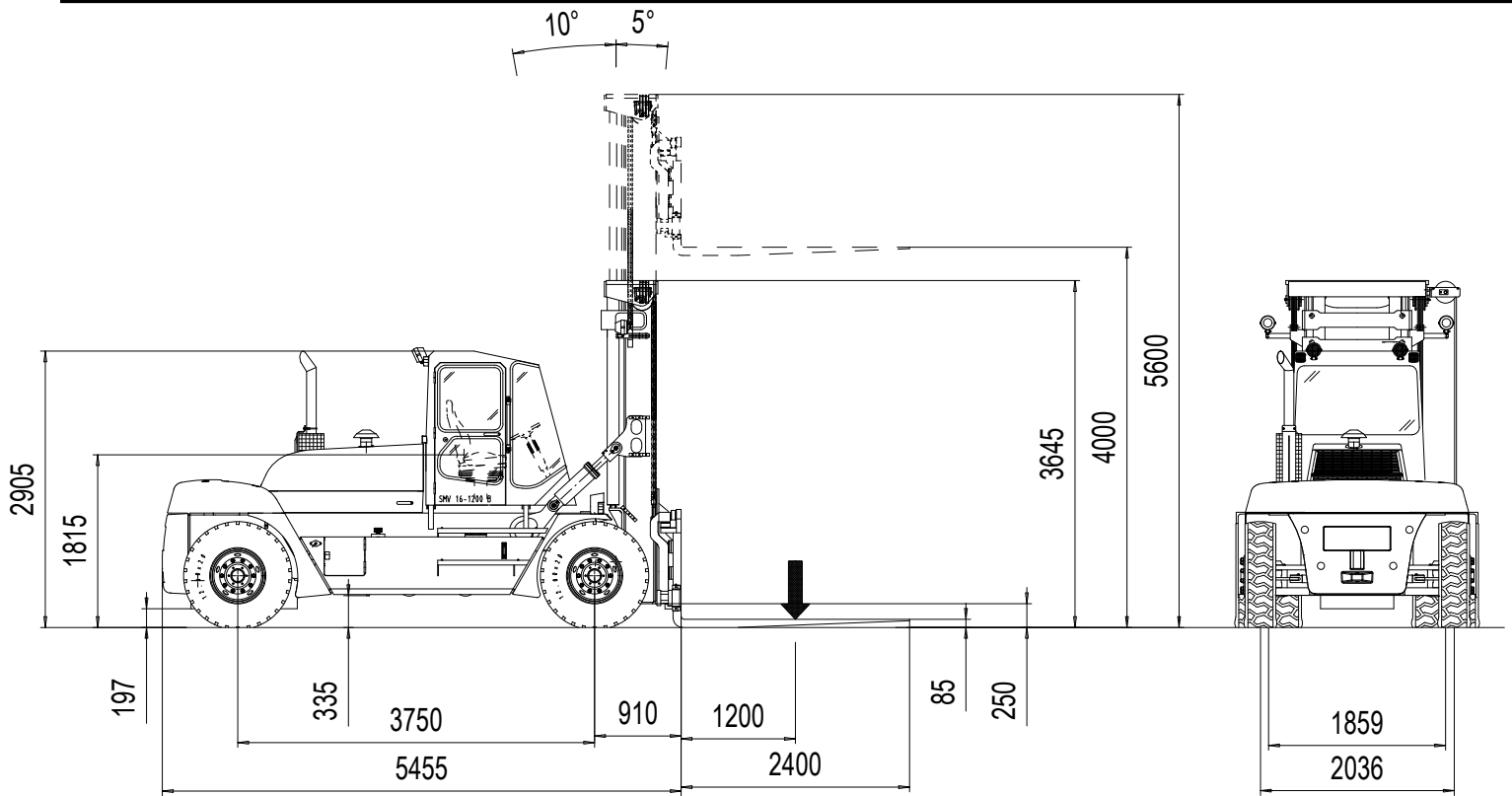


TECHNICAL DATA : SMV 16-1200 B

LIFTING DATA Lifting capacity / Load center (up to 7000 mm / standard mast) Lifting speed, unloaded / at rated load Lowering speed, unloaded / at rated load	kg / mm m/s m/s	16000 / 1200 0,40 / 0,35 0,40 / 0,40
DRIVING DATA Drive speed forward, unloaded / at rated load Drive speed reverse, unloaded / at rated load Incline (driving ability) at rated load at 0 km/h/at 2 km/h Towing (power ability) at rated load at 0 km/h/at 2 km/h	km/h km/h % kN	30 / 30 30 / 30 28 / 22 107 / 85
SERVICE WEIGHT / AXLE PRESSURE Service weight Axle pressure front, unloaded / at rated load Axle pressure rear, unloaded / at rated load	kg kg kg	22400 10700 / 35800 11800 / 2700
ENGINE (electronic controlled) Engine make / model name Emission approval EU / US Monitoring / emission controlled / CanBus Fuel / type of engine / intercooler Power ISO 3046 / at speed Torque ISO 3046 / at speed Displacement / No. of cylinders / type Fuel consumption, normal driving Alternator, type/power Starting battery, voltage/capacity	kW / rpm Nm / rpm L / / L/h W / Amp V / Ah	Volvo TAD-620-VE St II / Tier 2 Yes / yes / yes Diesel/4-stroke/ yes 147 / 2300 700 / 1500 5,7 / 6-cyl / Inline 8 – 10 AC / 1540 / 55 2 x 12 / 88
TRANSMISSION (electronic controlled) Transmission make / model name Monitoring / reverse protection / CanBus Clutch, type Transmission type / type of shift gear No. of gears, forward/reverse		Dana TE-17300 Yes / yes / yes Torque converter Softshift – Powershift / Automatic 3 / 3
DRIVE AXLE & STEER SYSTEM Drive axle make / model name Drive axle type / drive axle width Service brake system, type / affected wheels Parking brake system, type / affected wheels	/ mm	Kessler D81 Differential + hub reduction / 2550 Oil cooled Wet Disc Brakes / drive wheels Dry disc brake / spring release / drive wheels
STEER AXLE & STEER SYSTEM Steer axle make / type Steering system		Konecranes / double acting single cylinder Hydraulic servo assisted / power steering
WHEELS Number of wheels, front+rear / Type (*driven) Tire pressure front / rear Tire dimensions (Ply rating) front / rear Rim dimension front / rear	MPa Inch (No) Inch	4*+2 / pneumatic 1,0 / 1,0 12.00 x 20" (PR 20) / 12.00 x 20" (PR 20) 8.00 x 20" / 8.00 x 20"
HYDRAULIC SYSTEM Hydraulic pump make / model name Hydraulic system / pump type Power-on-demand / Low energy Hydraulic oil pressure mast	MPa	Parker & Hannifin / P2-series Load sensing system / variable piston pump Yes / yes 23
TANK VOLUMES Diesel tank volume Hydraulic tank volume	L L	243 272
LIFTING EQUIPMENT Lift mast make / model Lift mast type / design Fork carriage make / model Fork carriage type		Konecranes / Duplex standard 2-stage / free visibility Konecranes / integral double forks Hydraulic side shift & fork positioning
OTHERS Noise level (inside Cab / Lm) DIN 45635 Noise level (inside Cab/ LpAZ) EN 12053 Noise level (outside at 7 m/ Lwa) 2000/14/EC	dB(A) dB(A) dB(A)	68 72 109
NORMS & STANDARDS Machine Directive in Europe Stability of Industrial Trucks Safety of Industrial Trucks	98 / 37 EC ISO 1074 EN 1551	Yes Yes Yes



SMV 16-1200B

